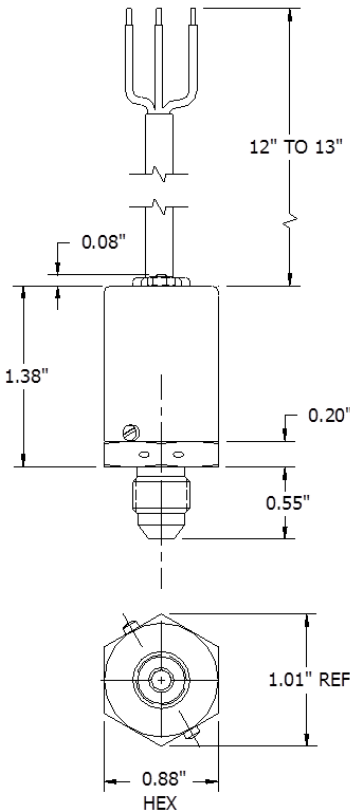


Made in USA

FEATURES / BENEFITS

- Lightweight, aluminum body, pressure switch
- Dual-spring design for accuracy and stability
- Field adjustable
- Suitable for altitude ranges from -1000 ft to 50'000 ft
- Piston design to allow high proof pressure



SPECIFICATIONS

MECHANICAL

Standard Tolerance	+/- 10%
Switch Type	SPDT (single pole / double throw)
Switching Medium	Air or compatible fluids
Mechanical Life	100,000 cycles
Setpoint Ranges	400 to 3000 PSI (27.58–207 bar)
Proof Pressure	4500 PSI (310 bar)
Hysteresis	10% to 40% of set point
Operating Temp.	-65 to 180 DEG F (-54–82°C)

ELECTRICAL

Current Rating

Resistive 5 AMP

Operating Voltage

30VDC



PHYSICAL

Case Material	Aluminum, Gold Anodized
Seal	Varies by option - See part number system below
Piston	Stainless Steel
Pressure Port	Many standard ports - See part number system below
Electrical Connections	Wire leads or Mate n lok 1-480701
Weight	Less than 2 ounces

Series	Type	Housing	Seal	Electrical Output	Electrical Connection	Pressure Port	Set-Point (PSI)
490	P - Pressure	AL - Aluminum ST - Stainless Steel	1 - Buna n 2 - Ethylene Propylene 4 - Neoprene 5 - Silicone	SP - SPDT	2 - 12" leads 3 - Amp Mate-N-Lok 1-480700 4 - Amp Mate-N-Lok 1-480701 5 - MS3102-10SI-3P 7 - MS33678-10SI-3P	A - 1/8" MNPT B - 1/4" MNPT C - An816-4d D - And10050-4 E - Imperial 1/4" plastic F - MS33656E-6 G - MS33649-4 H - MS33656E-2 I - MS33656E-4 J - MS33656E-5 K - MS33656E-3	400 - 3000 PSI (27.58–207 bar)

Determine Your Product Number:

490 - P - xx - x - SP - x - x - xxxx

Highlighted Options Standard

490 SERIES