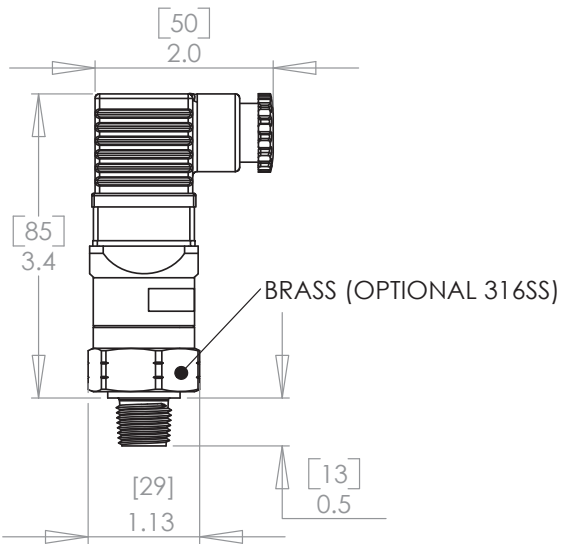
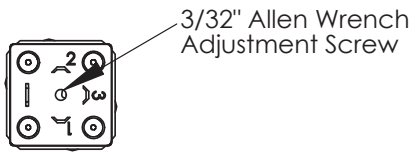




FEATURES / BENEFITS

- Rugged compact brass housing
- Adjustable pressure ranges from 3–150 psi
- SPDT Switch (up to 5 Amp)
- IP 65 Environmental protection
- Mechanical life in excess of 1,000,000 cycles



SPECIFICATIONS

MECHANICAL

Set Point Ranges	3–150 psi
Repeatability	+/- 2% FS
Maximum Overpressure	350 psi
Mechanical Life	1,000,000 Cycles
Temperature range	-20–180° F

PHYSICAL

Housing Material	Brass
Diaphragm	Nitrile (other options available on request)
Pressure Port	1/4" NPT Male
Environmental Protection	IP 65
Electrical Connection	Din 43650 A
Weight	0.26 lbs

ELECTRICAL

Switch Type	SPDT Snap Action
Current Rating	5 A 12/24 VDC - 125 VAC 3 A 250 VAC



Model Number	Part Number	Adjustment Range	Average Differential
200P-1-4M-C-HC	D30000	3–7 psi	0.5–1.2 psi
200P-2-4M-C-HC	D30001	5–30 psi	1–2.5 psi
200P-3-4M-C-HC	D30002	25–150 psi	2–10 psi

200P SERIES