



Made in USA

FEATURES / BENEFITS

- Rugged steel housing for use in harsh environments
- Adjustable pressure range from 0.25–15 psi (17.2–1034 mbar)
- Single pole double throw switch action
- Electrical rating up to 15 Amp, 125–480 VAC
- Reliable mechanical life
- UL MH6012

SPECIFICATIONS

MECHANICAL

Set Point Ranges	0.25–15 psi (see below) (17.2–1034 mbar)
Dead Band	See Below
Proof Pressure	Up to 35 psi (dependant on range) Up to 2413 mbar
Mechanical Life	1,000,000 Cycles
Temperature Range	+40–125° F (4.4–51.7°C)

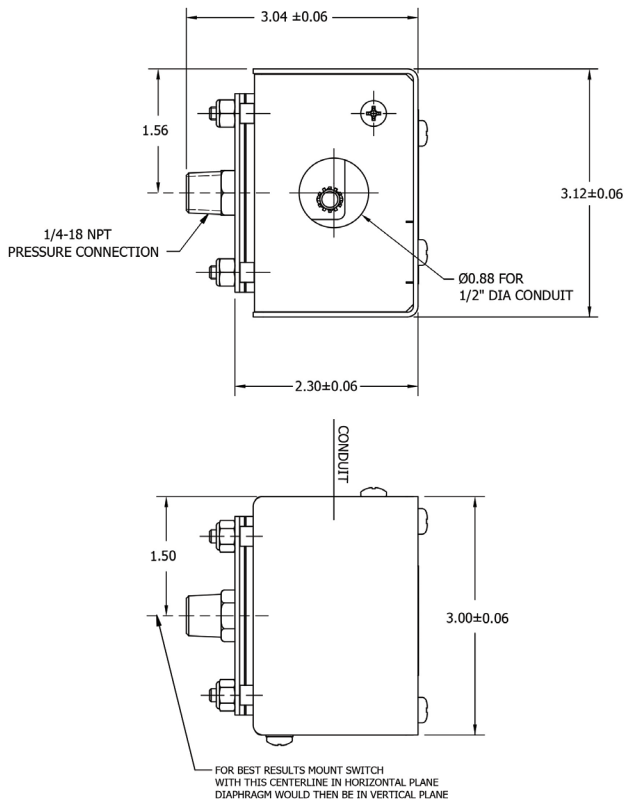


PHYSICAL

Housing Material	Steel
Diaphragm	0.017 Thick Nitrile / Nylon Coated Fabric
Pressure Point	1/4–18 NPT Male
Electrical Connection	Screw Terminals
Weight	1.75 lbs (0.79 kg)

ELECTRICAL

Switch Type	SPDT Snap Action
Current Rating	Up to 15A 125-480 VAC



Model Number	Part Number	Range	Deadband
161P1.0	D21545	0.25–1.00 psi (17.2–69 mbar)	0.004–0.1 psi (0.3–6.9 mbar)
161P1.3	D21546	0.25–1.30 psi (17.2–90 mbar)	0.004–0.1 psi (0.3–6.9 mbar)
161P5	D21547	0.25–5.00 psi (17.2–345 mbar)	0.009–0.25 psi (0.6–17.2 mbar)
161P10	D21548	0.50–10.00 psi (34–689 mbar)	0.018–0.50 psi (1.2–34 mbar)
161P15	D21549	0.75–15.00 psi (52–1034 mbar)	0.027–0.75 psi (1.8–52 mbar)

161P SERIES