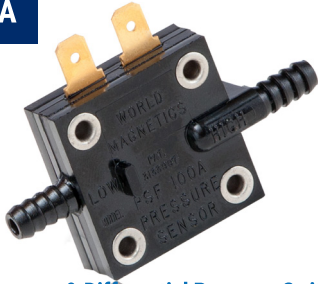


PSF100A



Pressure, Vacuum & Differential Pressure Switch

- Patented shock & vibration approved design
- Set point ranges from 0.1" to 50" H2O

PSF101



Pressure, Vacuum & Differential Pressure Switch

- Factory set switch points from 0.5" to 50" H2O
- Miniature size, lightweight & low cost

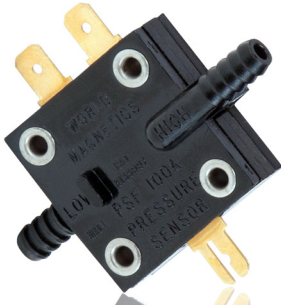
PSF102



Pressure, Vacuum & Differential Pressure Switch

- Field adjustable switch points from 0.03" H2O to 25psi
- Many standard port & mounting options available

PSF200A



Pressure, Vacuum & Differential Pressure Switch

- Dual set points
- Set point ranges from 4" to 50" H2O

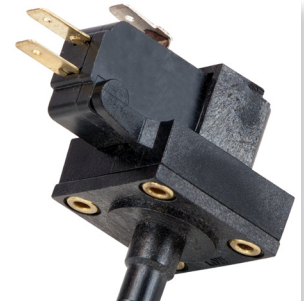
PSF103



Pressure Switch (High Current)

- Field adjustable switch points from 3.0" H2O to 60psi
- Snap action switch design suitable for high current applications

PSF109S



Vacuum Switch (High Current)

- Field adjustable switch points from -3.0" H2O to -11.9psi
- Vacuum ports available to suit most applications

PSF111



Pressure & Vacuum Switch

- Field adjustable pressure and vacuum set points from -11.9 to 60psi
- Compact, lightweight, environmentally sealed housing

PS100



Pressure, Vacuum & Differential Pressure Switch

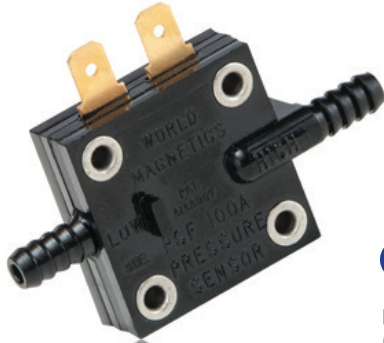
- Settings from 0.07" to 5.0" H2O
- Suitable for both high and low current applications

PS160



Pressure, Vacuum & Differential Pressure Switch

- Factory set points from 0.07" to 5.0" H2O
- Reliable performance under harsh conditions



Made in USA

The rugged yet ultra-sensitive PSF100A pressure switch incorporates a patented dual diaphragm / dual contact design offering protection against false actuation due to shock and vibration. Sample switch available by request.

SPECIFICATIONS

MECHANICAL

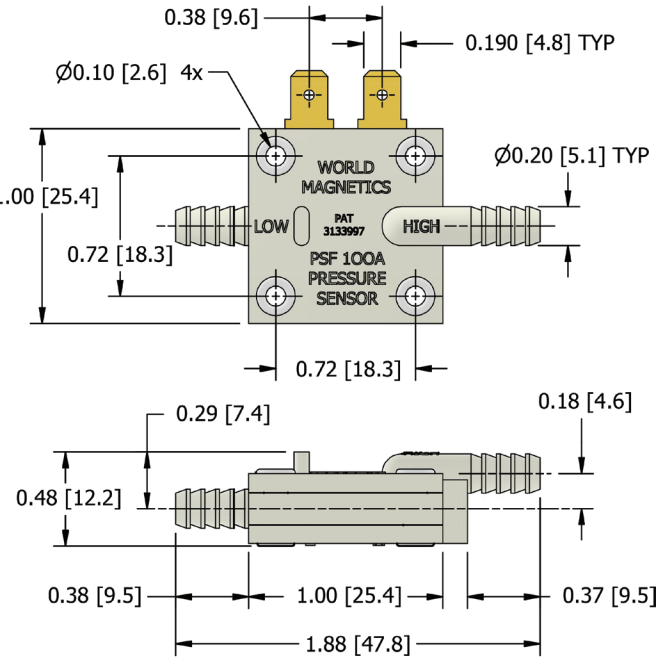
Standard Tolerance	±20% (Tighter tolerances available)
Switch Type	SPST normally open double-make / double-break
Switching Medium	Air; compatible fluids on "High" side
Mechanical Life	More than 20 million cycles
Maximum Operating Pressure	8psi: for units where set point is 3.0" H ₂ O or less 15psi: for units where set point is greater than 3.0" H ₂ O 4psi: for units with Teflon® diaphragm of 0.5" H ₂ O or less 8psi: for units with Teflon® diaphragm greater than 0.5" H ₂ O
Shock & Vibration	At zero pressure, will not make at 50G's shock, will not make at 10G's, 50 to 2000 Hz vibration
Operating Temp.	+40°F to +150°F (standard) -46°F to +205°F (contact us)

PHYSICAL

Case Material	Polycarbonate (other materials available)
Porting Options	Two .200" diameter barbed ports (low / high) for use with 1/8" - 3/16" ID tubing
Diaphragm Material	Polyurethane / Teflon® (other material options available)
Contact Points	Gold (dual)
Electrical Connections	Terminals – .187"x.020" tab-type, for use with quick disconnects (ref. AMP 2-520182-2 or equivalent)
Mounting	Eyeleted for #2 screws; mounting clip available
Weight	Less than 10 grams

ELECTRICAL

Current Rating	Up to 40mA resistive
Operating Voltage	AC/DC – 30V or less with resistive load; 120 VAC neon lamp load



FEATURES / BENEFITS

- Patented shock and vibration resistance
- Miniature size, lightweight, low cost
- Quick response time
- Dependable long life (20+ million cycles)
- Gold contact points (dual)
- Rugged Military Standard (MIL-SPEC)



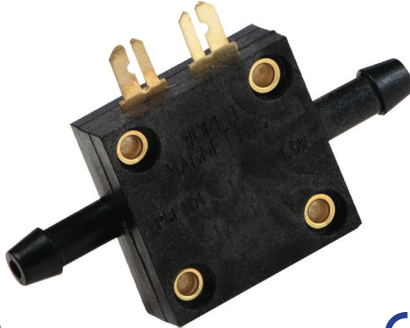
SET POINT OPTIONS

NOTE: For TEFLON® diaphragm add "T" to set point

	0.5	1.0	1.5	2.0	3.0	4.0	6.0	8.0	10.0	12.0	15.0	20.0	30.0	40.0	50.0
In. H ₂ O	0.1 - 0.5	1.0	1.5	2.0	3.0	4.0	6.0	8.0	10.0	12.0	15.0	20.0	30.0	40.0	50.0
mbar	0.25 - 1.25	2.49	3.73	4.98	7.47	9.96	14.95	19.92	24.91	29.88	37.36	49.82	74.73	99.63	124.59
psi	0.004 - 0.018	0.036	0.054	0.072	0.108	0.144	0.217	0.289	0.361	0.433	0.541	0.722	1.083	1.444	1.804

www.worldmagnetics.com

PSF100 SERIES



RoHS



UK CA

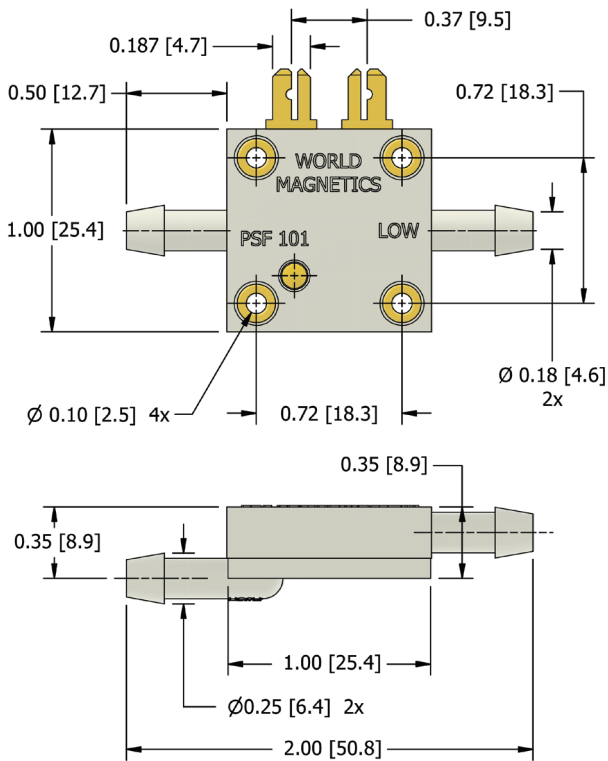
Made in USA

FEATURES / BENEFITS

- Many standard port and mounting options
- Custom design and engineering available
- Miniature size, lightweight, low cost
- Quick response time
- Dependable long life (20+ million cycles)
- Gold contact points
- PCB terminals available
- Factory set, tamper proof



MODEL 865X-XXX SHOWN



SPECIFICATIONS

MECHANICAL

Standard Tolerance	±20% (Tighter tolerances available)
Switch Type	SPST normally open
Switching Medium	Air; compatible fluids on "High" port side
Mechanical Life	More than 20 million cycles
Maximum Operating Pressure	8psi: for units where set point is 3.0" H ₂ O or less 15psi: for units where set point is greater than 3.0" H ₂ O 8psi: for units with Teflon® diaphragm
Operating Temp.	+40°F to +150°F (standard) -46°F to +205°F (contact us)

PHYSICAL

Case Material	Polycarbonate (optional: Lexan 141, Ryton®, Ultem®, Noryl®)
Porting Options	Many standard ports — see Low Port / High Port Options next page
Diaphragm Material	Polyurethane / Teflon® (other material options available)
Contact Points	Gold
Electrical Connections	Terminals – .187" x .020" tab-type (bifurcated), for use with quick disconnects (ref. AMP 2-520182-2 or equivalent) .020" x .060" (PCB terminals available)
Mounting	#4 Screws through mounting lugs; #2 Screws through eyelets; mounting clip available for specific port arrangement only
Weight	Less than 10 grams

ELECTRICAL

Current Rating	Up to 40mA resistive
Operating Voltage	AC/DC – 30V or less with resistive load; 120 VAC neon lamp load

Note: For higher load capabilities see our PSF103, PSF109, PSF111 and Goldtech series switches.



World Magnetics' exclusive DesignFlex™ feature allows you to quickly custom design a proven pressure, vacuum or differential switch for your application. Choose from our standard PSF101 options as shown below or contact our vertically integrated in-house design and engineering team for special features and unique application needs. Sample switch available by request.

SET POINT OPTIONS

	005	010	015	020	030	040	060	080	100	120	150	200	300	400	500
In. H ₂ O	0.1 - 0.5	1.0	1.5	2.0	3.0	4.0	6.0	8.0	10.0	12.0	15.0	20.0	30.0	40.0	50.0
mbar	0.25 - 1.25	2.49	3.73	4.98	7.47	9.96	14.95	19.92	24.91	29.88	37.36	49.82	74.73	99.63	124.54
psi	0.004 - 0.018	0.036	0.054	0.072	0.108	0.144	0.217	0.289	0.361	0.433	0.541	0.722	1.083	1.444	1.806

LOW PORT OPTIONS
HIGH PORT OPTIONS

1		2		1		2		3	
Smooth Port .156" diameter for 1/8" ID tubing w/mtg. lugs		Smooth Port .156" diameter for 1/8" ID tubing w/o mtg. lugs		Smooth Port .156" diameter for 1/8" ID tubing		Smooth Port .187" diameter for 5/32" ID tubing		Smooth Port .250" diameter for 7/32" ID tubing	
3		4		5		4		5	
Smooth Port .250" diameter for 7/32" ID tubing w/mtg. lugs		Smooth Port .250" diameter for 7/32" ID tubing w/o mtg. lugs		Barbed Port for 3/16" ID tubing w/mtg. lugs		1/8" NPT Port		Barbed Port for 3/16" ID tubing	
6		7		8		6		7	
Barbed Port for 3/16" ID tubing w/o mtg. lugs		No Port (.060" vent hole) w/mtg. lugs		No Port (.060" vent hole) w/o mtg. lugs		No Port (.060" vent hole)		Flow-Thru Barbed Port for 3/16" ID tubing	
9		0		Diaphragm Options 1 Polyurethane (standard) 2 Teflon (optional)		8		9	
Barbed Port for 1/8" ID tubing w/mtg. lugs		Barbed Port for 1/8" ID tubing w/o mtg. lugs				Barbed Port for 1/8" ID tubing		1/4" Port for Quick Connect Fitting	

Model Design Guide

For building standard model order number

PSF101 Series Number Low Port Option Number High Port Option Number Diaphragm Option Number Three Digit Set Point Option Number

8



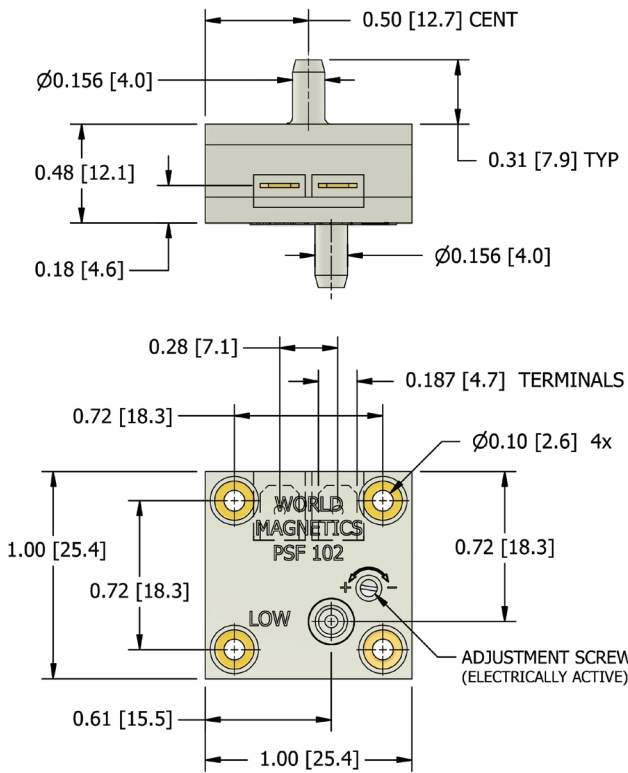
Made in USA

FEATURES / BENEFITS

- Field adjustable set point ranges — from 0.03” H₂O to 25 psi
- High resolution / high accuracy field adjustment mechanism
- Many standard ports and mounting options
- Custom design and engineering available
- Miniature size, lightweight, low cost
- Dependable long life (20+ million cycles)
- Gold contact points
- PCB terminals available



MODEL 721X-XXX SHOWN



SPECIFICATIONS

MECHANICAL

Standard Tolerance	Varies by option – see Set Point Options next page
Switch Type	SPST (single pole / single throw) normally open normally closed option — contact us
Switching Medium	Air; compatible fluids on “High” port side
Mechanical Life	More than 20 million cycles
Maximum Operating Pressure	Varies by option — see Set Point Options next page
Operating Temp.	+40°F to +150°F (standard) -46°F to +205°F (contact us) +50° - 86°F (700 range)

PHYSICAL

Case Material	Polycarbonate (optional: Lexan 141, Ryton, Ultem®, Noryl®)
Porting Options	Many standard ports — see Low Port / High Port Options next page
Diaphragm Material	Polyurethane / Teflon® (other material options available)
Contact Points	Gold
Electrical Connections	Terminals – .187”x.020” spade (recessed) for use with quick disconnects uninsulated (ref. AMP Faston, #8-640917-1, 187 Series) (PCB terminals available)
Mounting	#4 Screws through mounting lugs; #2 Screws through eyelets; mounting clip available
Weight	Less than 10 grams

ELECTRICAL

Current Rating	Up to 40mA resistive
Operating Voltage	AC/DC – 30V or less with resistive load; 120 VAC neon lamp load

Note: For higher load capabilities see our PSF103, PSF109 and Goldtech series switches.



World Magnetics' exclusive DesignFlex™ feature allows you to quickly custom design a proven pressure, vacuum or differential switch for your application. Choose from our standard PSF102 options as shown or contact our vertically integrated in-house design and engineering team for special features.

SET POINT OPTIONS

	700	710	711	712	713	723	714
In. H ₂ O	0.03 to 0.1	0.1 to 0.5	0.5 to 2.0	2.0 to 15.0	15.0 to 60.0	60.0 to 100.0	100.0 to 692.0
mbar	0.07 to 0.25	0.25 to 1.25	1.25 to 4.98	4.98 to 37.36	37.36 to 149.5	149.5 to 249.0	249.0 to 1723.5
psi	0.001 to 0.004	0.004 to 0.018	0.018 to 0.072	0.072 to 0.542	0.542 to 2.17	2.17 to 3.61	3.61 to 25.0
Maximum Operating Pressure	2psi	4psi	8psi	8psi	15psi	30psi	30psi
Tolerance	+/- 0.03" H ₂ O	+/- 0.1" H ₂ O	+/- 0.2" H ₂ O	+/- 0.5" H ₂ O	+/- 10%	+/- 10%	+/- 10%
Diaphragm Material	PUR only	Teflon only	PUR or Teflon	PUR or Teflon	PUR or Teflon	PUR or Teflon	PUR or Teflon

LOW PORT OPTIONS

HIGH PORT OPTIONS

1		2		1		2		3	
	Smooth Port .156" diameter for 1/8" ID tubing w/mtg. lugs		Smooth Port .156" diameter for 1/8" ID tubing w/o mtg. lugs		Smooth Port .156" diameter for 1/8" ID tubing		Smooth Port .187" diameter for 5/32" ID tubing		Smooth Port .250" diameter for 7/32" ID tubing
3		4				4		5	
	No Port (.060" vent hole) w/mtg. lugs		No Port (.060" vent hole) w/o mtg. lugs				1/8" NPT Port		Barbed Port for 3/16" ID tubing
5		6		Diaphragm Options 1 Polyurethane (standard) 2 Teflon (optional)		6		7	
	Barbed Port for 3/16" ID tubing w/mtg. lugs		Barbed Port for 3/16" ID tubing w/o mtg. lugs				No Port (.060" vent hole)		Flow-Thru Barbed Port for 1/8" ID tubing
7		8		8		9		0	
	Barbed Port for 1/8" ID tubing w/mtg. lugs		Barbed Port for 1/8" ID tubing w/o mtg. lugs		Barbed Port for 1/8" ID tubing		1/4" Port for Quick Connect Fitting		M8 x 1.25 Port

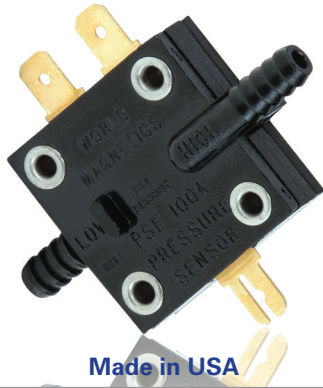
Model Design Guide

For building standard model order number

PSF102 Series Number Low Port Option Number High Port Option Number Diaphragm Option Number Three Digit Set Point Option Number

7

—



Made in USA

FEATURES / BENEFITS

- Dual Set Point
- Miniature size, lightweight, low cost
- Quick response time
- Dependable long life (20+ million cycles)
- Gold contact points

SPECIFICATIONS

MECHANICAL

Standard Set Point Tolerance	±20% (Tighter tolerances available)
Switch Type	SPST normally open
Switching Medium	Air; compatible fluids on "High" side
Mechanical Life	More than 20 million cycles
Maximum Operating Pressure	15psi: for units with polyurethane diaphragm 8psi: for units with Teflon® diaphragm
Operating Temp.	+40°F to +150°F (standard) -46°F to +205°F (contact us)

PHYSICAL

Case Material	Polycarbonate (other materials available)
Porting Options	Two .200" diameter barbed ports (low / high) for use with 1/8" - 3/16" ID tubing
Diaphragm Material	Polyurethane / Teflon® (other material options available)
Contact Points	Gold

Electrical Connections Terminals – .187" x .020" tab-type, for use with quick disconnects (ref. AMP 2-520182-2 or equivalent)

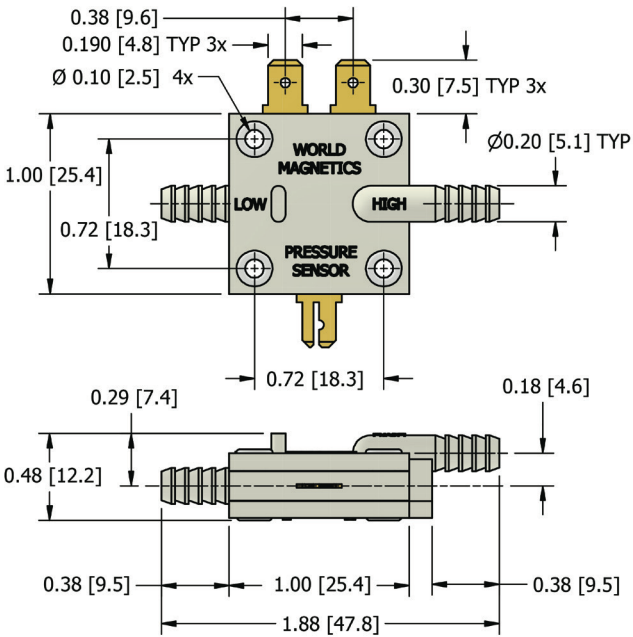
Mounting Eyeleted for #2 screws;

Weight Less than 10 grams

ELECTRICAL

Current Rating Up to 40mA resistive

Operating Voltage AC/DC – 30V or less with resistive load; 120 VAC neon lamp load



SET POINT OPTIONS (Choose Any Two)

	4.0	6.0	8.0	10.0	12.0	14.0	16.0	18.0	20.0	25.0	30.0	35.0	40.0	45.0	50.0
In. H ₂ O	4.0	6.0	8.0	10.0	12.0	14.0	16.0	18.0	20.0	25.0	30.0	35.0	40.0	45.0	50.0
mbar	9.96	14.94	19.92	24.90	29.88	34.86	39.84	44.82	49.80	62.27	74.70	87.18	99.63	112.09	124.54
psi	0.144	0.216	0.288	0.360	0.432	0.504	0.576	0.650	0.722	0.900	1.080	1.260	1.440	1.620	1.806

www.worldmagnetics.com

PSF200 SERIES



E41523

RoHS

Made in USA

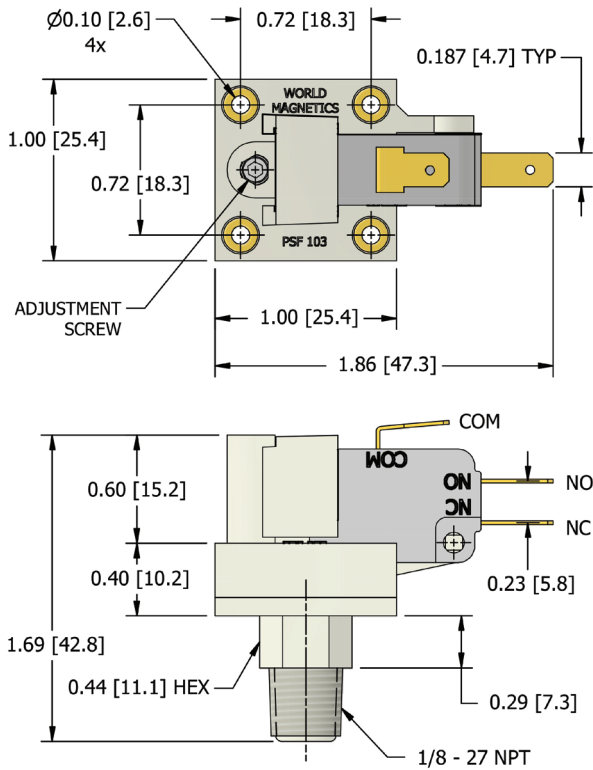


FEATURES / BENEFITS

- Field adjustable pressure set point, from 3" H₂O to 60 psi
- Snap action basic switch, up to 25A*, 125/250 VAC
*Not available on all ranges
- Many standard pressure ports and mounting options
- Custom design and engineering available
- Small size, lightweight, low cost
- Dependable long life (10+ million cycles)



MODEL 906X-XXX SHOWN



SPECIFICATIONS

MECHANICAL

Standard Tolerance	±20% (Tighter tolerances available)
Switch Type	SPDT (single pole / double throw) normally open or normally closed
Switching Medium	Air; compatible fluids
Mechanical Life	More than 10 million cycles
Maximum Operating Pressure	Varies by option – see Adjustable Pressure Set Point Options next page
Operating Temp.	+40°F to +150°F (standard) -46°F to +205°F (contact us)

PHYSICAL

Case Material	Polycarbonate (optional: Lexan 141, Ryton®, Ultem®, Noryl®) 905 — 906 range use PPS wetted parts
Pressure Port Options	Many standard ports — see Pressure Port / Cover Options next page
Diaphragm Material	Polyurethane (Teflon® optional with limited pressure ranges) other options available
Contact Points	Silver (Gold available on special order)
Electrical Connections	Terminals – .187" x .020" tab-type for use with quick disconnects (ref. AMP #2-520182-2 or equivalent) .250" available — contact us
Mounting	#4 Screws through mounting lugs; #2 Screws through eyelets
Weight	Less than 20 grams

ELECTRICAL

Current Rating	Varies by option – see Adjustable Pressure Set Point Options next page
Operating Voltage	See Adjustable Pressure Set Point Options next page



DESIGNFLEX™ STANDARD OPTIONS — Choose from our standard PSF103 options as shown below or contact our vertically integrated in-house design and engineering team for special features and unique application needs. Sample switch available by request.

ADJUSTABLE PRESSURE SET POINT OPTIONS

	010*	020*	902	903	904	905	906
In H ₂ O	0.5 to 2.0	1.5 to 2.5	3 to 10	10 to 28	28 to 111	111 to 416	416 to 1664
mbar	1.2 to 5.0	5.0	7.5 to 25	25 to 70	70 to 276	276 to 1036	1036 to 4144
psi	0.018 to .072	0.072	0.11 to 0.4	0.4 to 1.0	1.0 to 4.0	4.0 to 15	15.0 to 60.0*
Max. Operating Pressure (PUR)	30psi	30psi	30psi	30psi	30psi	70psi	70psi
Max. Operating Pressure (Teflon®)	15psi	15psi	15psi	30psi	30psi	30psi	30psi
Electrical 125/250 VAC Resistive Load	3A	3A	3A	10A	15A	15A	15A

*Non adjustable

PRESSURE PORT/COVER OPTIONS

00		01		02		03		04	
Smooth Port .156" diameter for 1/8" ID tubing w/mtg. lugs		Smooth Port .156" diameter for 1/8" ID tubing w/o mtg. lugs		Barbed Port for 3/16" ID tubing on terminals side w/mtg. lugs		Barbed Port for 3/16" ID tubing opposite terminals w/mtg. lugs		Barbed Port for 3/16" ID tubing on terminals side w/o mtg. lugs	
05		06		07		08		09	
Barbed Port for 3/16" ID tubing opposite terminals w/o mtg. lugs		1/8" NPT Port		Flo-Thru Barbed Port for 1/8" ID tubing w/o mtg. lugs		Smooth Port .250" diameter for 7/32" ID tubing w/o mtg. lugs		Smooth Port .250" diameter for 7/32" ID tubing w/mtg. lugs	
10		11		12		13		14	
Barbed Port for 1/8" ID tubing on terminals side w/mtg. lugs		Barbed Port for 1/8" ID tubing opposite terminals w/mtg. lugs		Barbed Port for 1/8" ID tubing on terminals side w/o mtg. lugs		Barbed Port for 1/8" ID tubing opposite terminals w/o mtg. lugs		1/4" Port for Quick Connect Fitting	
15						Diaphragm Options 1 Polyurethane (standard) 2 Teflon (optional)		OTHER / CUSTOM PORTING AND MOUNTING OPTIONS AVAILABLE	
M8 x 1.25 Port									

www.worldmagnetics.com

PSF103 SERIES

Model Design Guide

For building standard model order number

PSF103 Series Number Pressure Port/Cover Option Number Diaphragm Option Number Three Digit Pressure Set Point Option Number

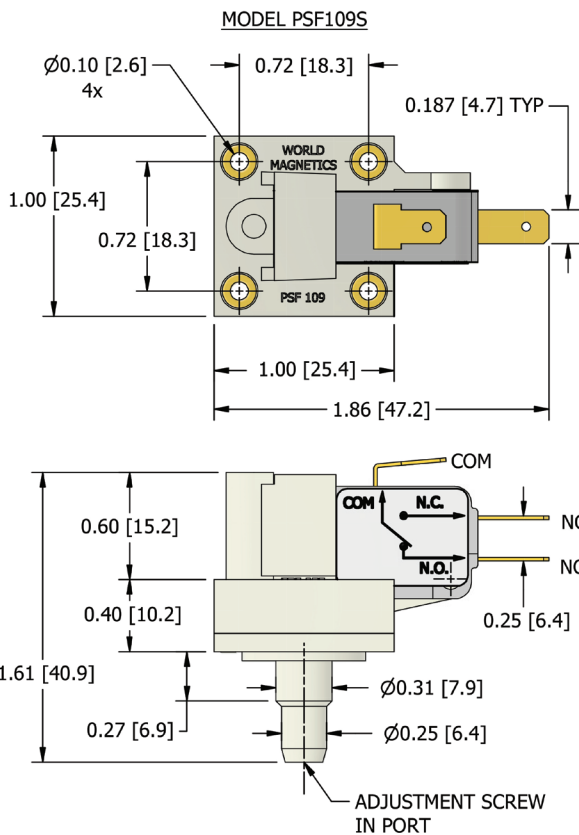
9 —



Made in USA

FEATURES / BENEFITS

- Field adjustable vacuum set point ranges, from -3" H₂O to -11.9 psi
- Snap action basic switch, up to 25A*, 125/250 VAC
*Not available on all ranges
- .250" diameter; 1/8" NPT; or 1/4" Quick Connect Fitting port
- Custom design and engineering available
- Small size, lightweight, low cost
- Dependable long life (10+ million cycles)



SPECIFICATIONS

MECHANICAL

Standard Tolerance	±20% (Tighter tolerances available)
Switch Type	SPDT normally open or normally closed
Switching Medium	Air; compatible fluids
Mechanical Life	More than 10 million cycles
Operating Temp.	+40°F to +150°F (standard) -46°F to +205°F (contact us)

PHYSICAL

Case Material	Polycarbonate (optional: Lexan 141, Ryton, Ultem®, Noryl®)
Vacuum Port Options	.250" diameter, 1/8" NPT, Quick Connect Fitting Port
Diaphragm Material	Polyurethane / Teflon® (other material options available)
Contact Points	Silver (Gold available on special order)

Electrical Connections	Terminals – .187"x.020" tab-type for use with quick disconnects (ref. AMP #2-520182-2 or equivalent) .250" available — contact us
Mounting	#2 Screws through eyelets
Weight	Less than 20 grams

ELECTRICAL

Current Rating	Varies by option – see Adjustable Vacuum Set Point Options next page
Operating Voltage	125/250 VAC– see Adjustable Vacuum Set Point Options (next page)

The versatile high-current PSF109S vacuum switch offers a wide-range field adjustable set point; snap action; and choice of standard vacuum port design options. For custom applications, our in-house design and engineering team provides rapid prototyping and manufacturing turnaround.

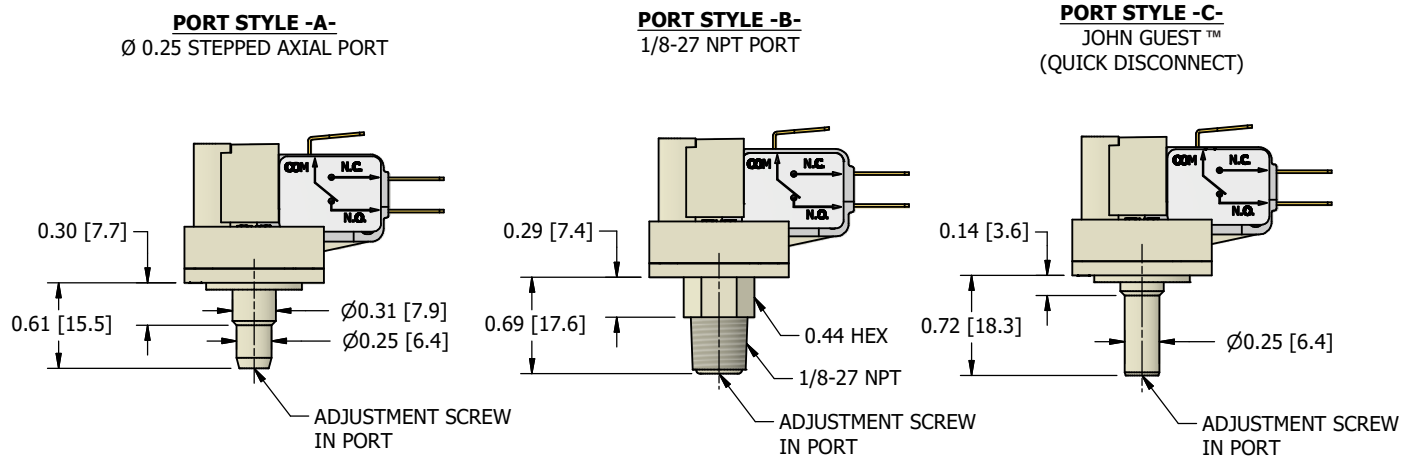
ADJUSTABLE VACUUM SET POINT / PORT / ELECTRIC RATING OPTIONS

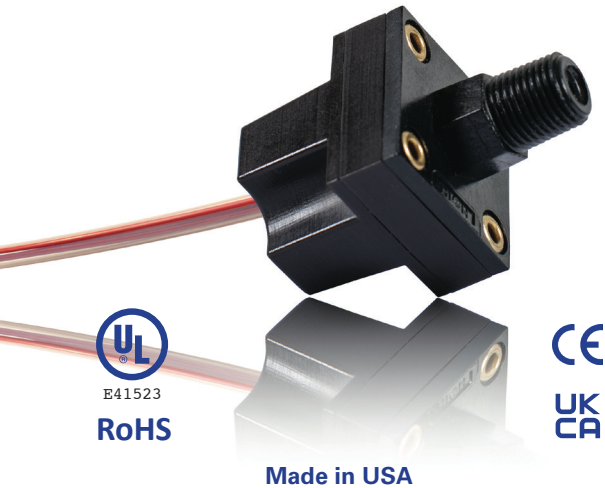
	20161	20112	20623
Description	109S-3-8	109S-9-80	109S-81-330
- In. Hg	0.2205 to 0.5885	0.6613 to 5.878	5.951 to 24.25
- In. H ₂ O	3 to 8	9 to 80	81 to 330
- mbar	7.5 to 20	22 to 199	202 to 822
- psi	0.1 to 0.29	0.32 to 2.89	2.9 to 11.9
Port Style (see drawing below)	A	A	A
Electrical 125/250VAC Resistive Load	3A	10A	15A

	20901	20890	20897
Description	109S-NPT-3-8	109S-NPT-9-80	109S-NPT-81-330
- In. Hg	0.2205 to 0.5885	0.6613 to 5.878	5.951 to 24.25
- In. H ₂ O	3 to 8	9 to 80	81 to 330
- mbar	7.5 to 20	22 to 199	202 to 822
- psi	0.10 to 0.29	0.32 to 2.89	2.9 to 11.9
Port Style (see drawing below)	B	B	B
Electrical 125/250VAC Resistive Load	3A	10A	15A

	21472	21473	21474
Description	109S-QC-3-8	109S-QC-9-80	109S-QC-81-330
- In. Hg	0.2205 to 0.5885	0.6613 to 5.878	5.951 to 24.25
- In. H ₂ O	3 to 8	9 to 80	81 to 330
- mbar	7.5 to 20	22 to 199	202 to 822
- psi	0.10 to 0.29	0.32 to 2.89	2.9 to 11.9
Port Style (see drawing below)	C	C	C
Electrical 125/250VAC Resistive Load	3A	10A	15A

www.worldmagnetics.com


PSF109S SERIES
ALSO AVAILABLE: Port Couplings | Port Fittings | Polyurethane Tubing | Tools

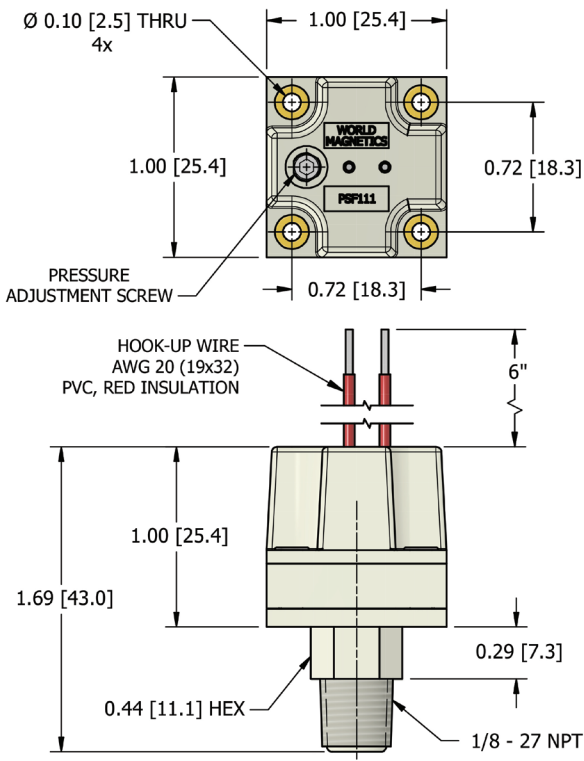


FEATURES / BENEFITS

- Compact, lightweight, environmentally sealed housing
- Field adjustable pressure and vacuum set points from -11.9 to 60psi
- Many standard pressure port and mountings options
- Custom design and engineering available
- Custom electrical lead lengths with option to add electrical connector



MODEL PSF111 - (NPT OPTION SHOWN)



The versatile PSF111 pressure and vacuum switch offers a wide range of field adjustable set points, port options and electrical connections. Using a waterproof snap-action microswitch and the new DesignFlex protective housing, this switch is ideal for use in hostile environments where dust and water ingress may be an issue.

SPECIFICATIONS

MECHANICAL

Standard Tolerance	±20% (Tighter tolerances available)
Switch Type	SPDT (single pole / double throw) normally open (std.) normally closed (opt.)
Switching Medium	Air; compatible fluids
Mechanical Life	More than 1 million cycles
Maximum Operating Pressure	Varies by option – see Adjustable Pressure Set Point Options next page
Operating Temp.	-40°F to +185°F

PHYSICAL

Case Material	Polycarbonate (optional: Lexan 141, Ryton®, Ultem®, Noryl®) 112 – 113 range use PPS wetted parts
Pressure Port Options	Many standard ports — see Pressure Port / Cover Options next page
Diaphragm Material	Polyurethane (Teflon® optional with limited pressure ranges) other options available
Contact Points	Silver (Gold available on special order)
Electrical Connections	6" AWG 20 PVC wire (2 or 3 wire) other length and connector options available
Mounting	#4 Screws through mounting lugs; #2 Screws through eyelets; See Cover Options below
Weight	Less than 20 grams

ELECTRICAL

Current Rating	3 AMP standard 4 AMP available
Operating Voltage	12 VDC / 125 VAC

DESIGNFLEX™ STANDARD OPTIONS — Choose from our standard PSF111 options as shown below or contact our vertically integrated in-house design and engineering team for special features and unique application needs. Sample switch available by request.

ADJUSTABLE PRESSURE SET POINT OPTIONS

11X available pressure ranges P = pressure, V = vacuum	110	P	111	P	112	P	113	P	114	V	115	V	116	V
In H ₂ O	30 to 60		60 to 135		135 to 416		416 to 1661		15 to 45		45 to 110		110 to 330	
mbar	75 to 149		149 to 336		336 to 1036		1036 to 4137		37 to 112		112 to 274		274 to 822	
psi	1.1 to 2.2		2.2 to 4.9		4.9 to 15		15 to 60		0.54 to 1.63		1.63 to 4.0		4.0 to 11.9	
Max. Operating Pressure (PUR)	30psi		30psi		70psi		70psi		14.7psi		14.7psi		14.7psi	
Max. Operating Pressure (PTFE)	15psi		15psi		30psi		30psi		14.7psi		14.7psi		14.7psi	
Electrical 125 VAC, Resistive Load (SEALED spdt)	3A std. 4A avail.		3A std. 4A avail.		3A std. 4A avail.		3A std. 4A avail.		3A std. 4A avail.		3A std. 4A avail.		3A std. 4A avail.	

PRESSURE PORT/COVER OPTIONS

P 00 	P 01 	P 02 	P 04 	P 06
Smooth Port .156" diameter for 1/8" ID tubing w/mtg. lugs	Smooth Port .156" diameter for 1/8" ID tubing w/o mtg. lugs	Barbed Port for 3/16" ID tubing w/mtg. lugs	Barbed Port for 3/16" ID tubing w/o mtg. lugs	1/8" NPT Port w/o mtg. lugs
P 07 	P 08 	P 09 	P 10 	P 12
Flo-Thru Barbed Port for 1/8" ID tubing w/o mtg. lugs	Smooth Port .250" diameter for 7/32" ID tubing w/o mtg. lugs	Smooth Port .250" diameter for 7/32" ID tubing w/mtg. lugs	Barbed Port for 1/8" ID tubing w/mtg. lugs	Barbed Port for 1/8" ID tubing w/o mtg. lugs
P 14 	P 15 	P 16 		
V 	V 	V 		
1/4" Port for Quick Connect Fitting w/o mtg. lugs	M8 x 1.25 Port w/o mtg. lugs	Barbed Port .200 dia. for 3/16" ID tubing w/mtg. lugs		

Diaphragm Options

1

Polyurethane (standard)

2

Teflon (optional)

Model Design Guide

For building standard model order number

PSF111 Series Number

Pressure Port / Cover Option Number

Diaphragm Option Number

Three Digit Set Point Option Number

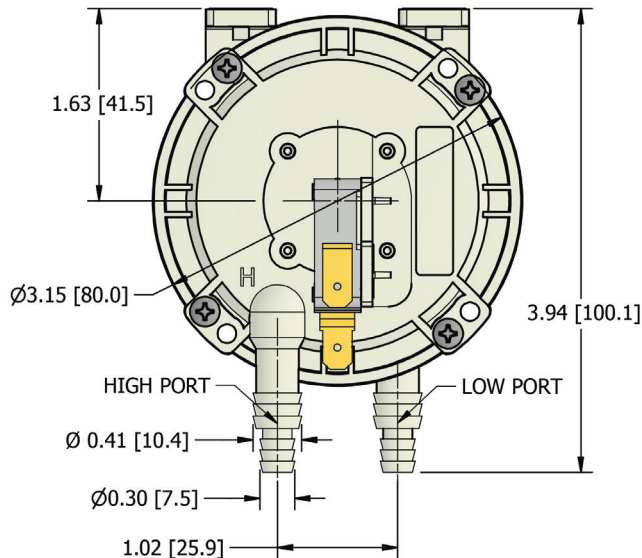
6

—

PS100



The rugged yet ultra-sensitive Goldtech™ PS100 and PS160 series pressure switches feature a larger diameter diaphragm and incorporate a conventional snap action switch element. This design assures reliable performance under harsh and adverse conditions, while remaining low in relative cost. Sample switch available by request.



FEATURES / BENEFITS

- Reliable performance under harsh / adverse conditions
- Larger diameter diaphragm / Conventional snap action
- Standard set point ranges from: 0.07" H₂O to 5.0" H₂O
- Multi-barb port connections standard tubing: 0.250 in. and 0.375 in.
- Orifices, bleed holes and various mounting configurations available on all models; vertical mounting required
- Lightweight, low cost
- Rigorously tested – Exceeds UL-508 / UL-353 Pilot Duty requirements (Tested hundreds of thousands of cycles)
- Silver contact points
- Termination 1/4" tab (6.4mm) industry standard



PS100

SPECIFICATIONS

MECHANICAL

Standard Tolerance	Varies by set point — contact us
Switch Type	SPDT
Switching Medium	Air; compatible fluids
Mechanical Life	Tested hundreds of thousands of cycles; Exceeds UL-508 / UL-353 Pilot Duty requirements
Max Operating Pressure	PS160 - 0.5psi / PS100 - 1.0psi
Burst Pressure	3.5psi
Operating Temperature	PS160 -40°F to +185°F / PS100 -13°F to +221°F

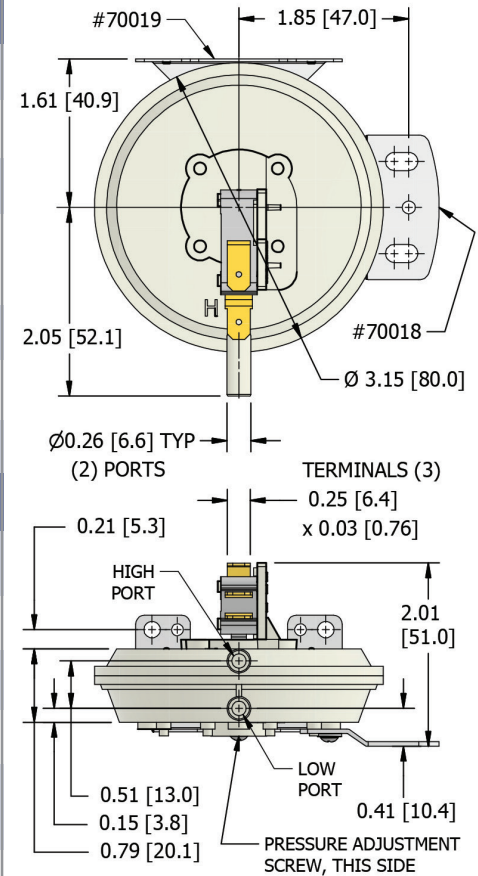
PHYSICAL

Case Material	Noryl® (PPO)
Porting Options	Multi-barb 0.250 in. and 0.375 in. tubing ID (PS100) / 0.25 tubing ID. (PS160)
Diaphragm Material	Post-Cured Silicon
Contact Points	Silver
Electrical Connections	Terminals – 0.250 in. x 0.30 in. tab-type for use with quick disconnects
Mounting	PS100 Series: Vertical mount recommended PS160 Series: Variable position vertical mounting brackets available. Note: Always mount with diaphragm in vertical position unless otherwise specified
Weight	Less than 80 grams average (varies with snap switch / brackets)

ELECTRICAL

Current / Voltage Rating	5A 125/250 VAC Standard 3A 125/250 AC 1/10 HP 125/250 VAC .01A 125/250 VAC
Rated Standards	(UL 1054, EN 61058) UL Approved MH29861 Related: UL 353, UL 508, BS EN 1854: 1997

MOUNTING BRACKET STYLE MUST BE SELECTED (ONLY ONE IS REQUIRED)



PS160

