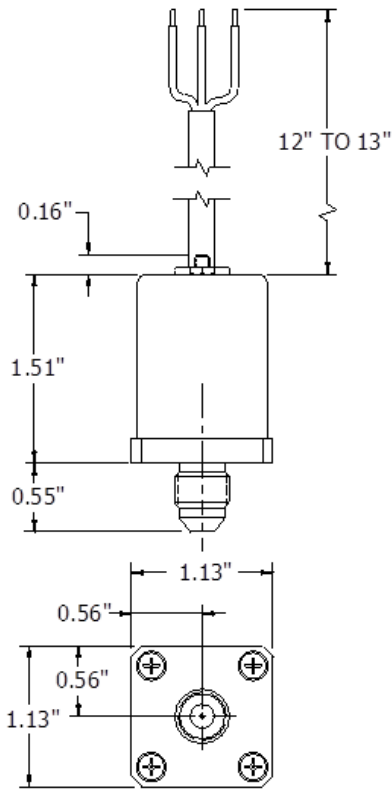



Made in USA

FEATURES / BENEFITS

- Lightweight, aluminum body, pressure/vacuum switch
- Dual-spring design for accuracy and stability
- One piece fully supported diaphragm to achieve both low setpoints and high proof pressures
- Factory set, tamper proof
- Model for FAA 15 minute flame testing available upon request

SPECIFICATIONS



MECHANICAL		ELECTRICAL
Standard Tolerance	+/- 10%	Current Rating
Switch Type	SPDT (single pole / double throw)	Resistive 5 AMP
Switching Medium	Air or compatible fluids	Operating Voltage
Mechanical Life	100,000 cycles	30VDC
Setpoint Ranges	1.5 to 400 PSI (0.1–27.6 bar)	
Proof Pressure	1000 PSI (69 bar)	
Hysteresis	10% to 40% of set point	
Operating Temp.	-65 to 400 DEG F (-54–204°C)	

PHYSICAL	
Case Material	Aluminum, Gold anodized
Seal	Varies by option - See part number system below
Diaphragm	Stainless Steel
Pressure Port	Many standard ports - See part number system below
Electrical Connections	Many standard electrical connections - See part number system below
Weight	Less than 2.5 ounces

Series	Type	Housing	Seal	Electrical Output	Electrical Connection	Pressure Port	Setpoint (PSI)
670	P - Pressure	AL - Aluminum	1 - Buna n	SP - SPDT	2 - 12" leads	A - 1/8" MNPT	1.5-400 PSI (0.1–27.6 bar)
	V - Vacuum	ST - Stainless Steel	2 - Ethylene Propylene 3 - Mylar 4 - Neoprene 5 - Silicone 6 - Stainless Steel			3 - Amp Mate-N-Lok 1-480700 4 - Amp Mate-N-Lok 1-480701	

Determine Your Product Number:
670 - x - xx - x - SP - x - x - xxxx
 Highlighted Options Standard

670 SERIES