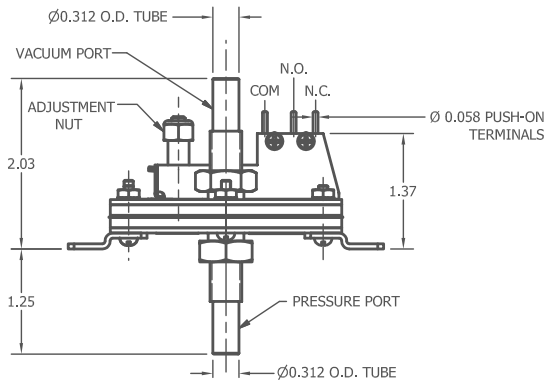
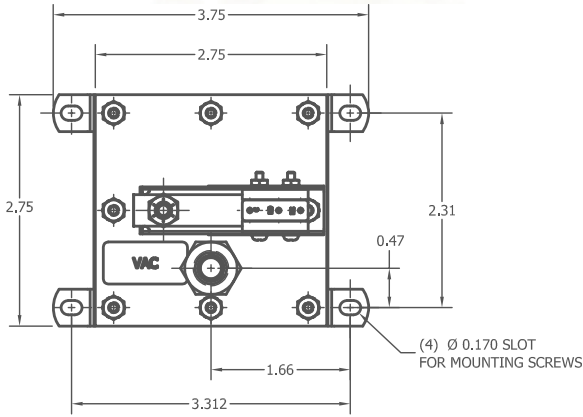


Made in USA



FEATURES / BENEFITS

- Rugged flat-plate construction in accordance with MIL-A-8625, Type 1, Class 2 specification
- Adjustable pressure range from 0.7–7" H₂O
- Single pole double throw switch action
- High proof pressure
- Reliable mechanical life

SPECIFICATIONS

MECHANICAL

| | |
|-------------------|--------------------------------|
| Set Point Ranges | 0.7–7.0" H ₂ O |
| Dead Band | Approximately 50% of Set Point |
| Proof Pressure | 30" H ₂ O |
| Mechanical Life | 1,000,000 Cycles |
| Temperature Range | +40–150° F |

PHYSICAL

| | |
|-----------------------|--------------------------|
| Housing Material | Anodized Aluminum |
| Diaphragm | Silicone Coated Fabric |
| Pressure Port | 0.312 +/- .005 O.D. Tube |
| Electrical Connection | 0.058 Push-on Terminals |
| Weight | 0.32 lbs |

ELECTRICAL

| | |
|----------------|--------------------------|
| Switch Type | SPDT Snap Action |
| Current Rating | 4 A 250 VAC / 5 A 28 VDC |



| Model Number | Part Number | Pressure Range |
|--------------|-------------|---------------------------|
| D1 | D21543 | 0.7–7.0" H ₂ O |

D-1 SERIES